

# IMPACT

## WALL PROTECTION RAILS - 200 / 120 / 60 MM HIGH



### APPLICATIONS

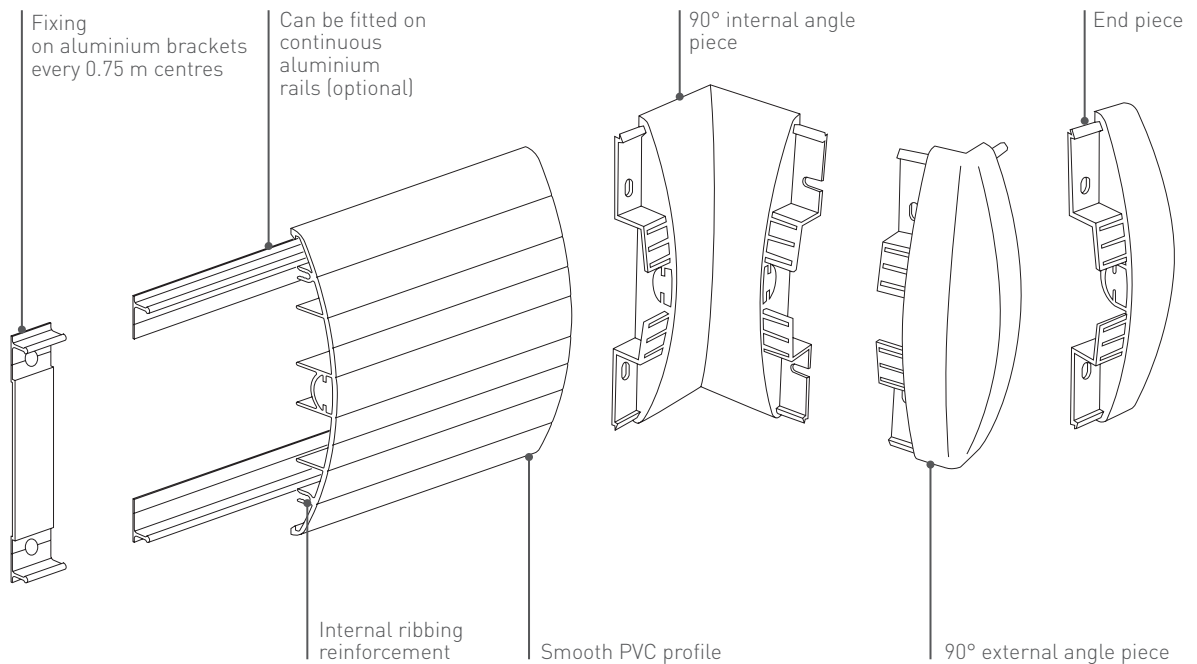
This horizontal protection system features contoured design to bring you the perfect combination of impact resistance and sheer good looks. Fitted at one or two levels, it protects walls exposed to intensive wheeled traffic in corridors, entrances and storage areas (hospitals, clinics, retirement homes, laboratories, cleanrooms, hotels, restaurants, schools).

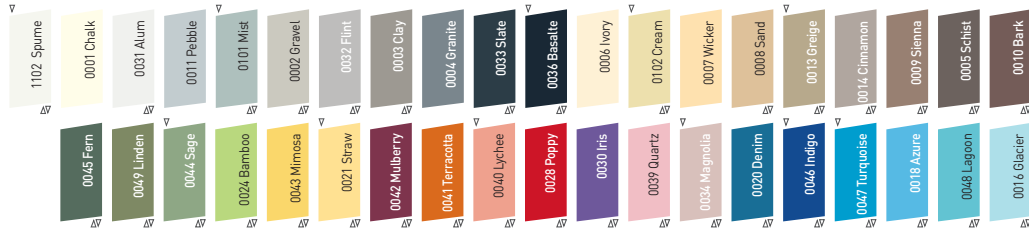
### DESCRIPTION

- Model: Impact 200/120 or 60 wall protection rail
- Height: 200/120 or 60 mm
- Depth: 30 mm
- Length: 4 m
- Material: 3 mm thick PVC, antibacterial and Bs2d0 fire-rated, solid colour
- Surface finish: smooth with decorative grooves
- Fixing components: aluminium brackets (optional: continuous aluminium rail)
- Colours: 39
  - 28 in stock and 11 on order for Impact 200 and 120
  - 5 sur stock and 34 on order for Impact 60

### NOTA

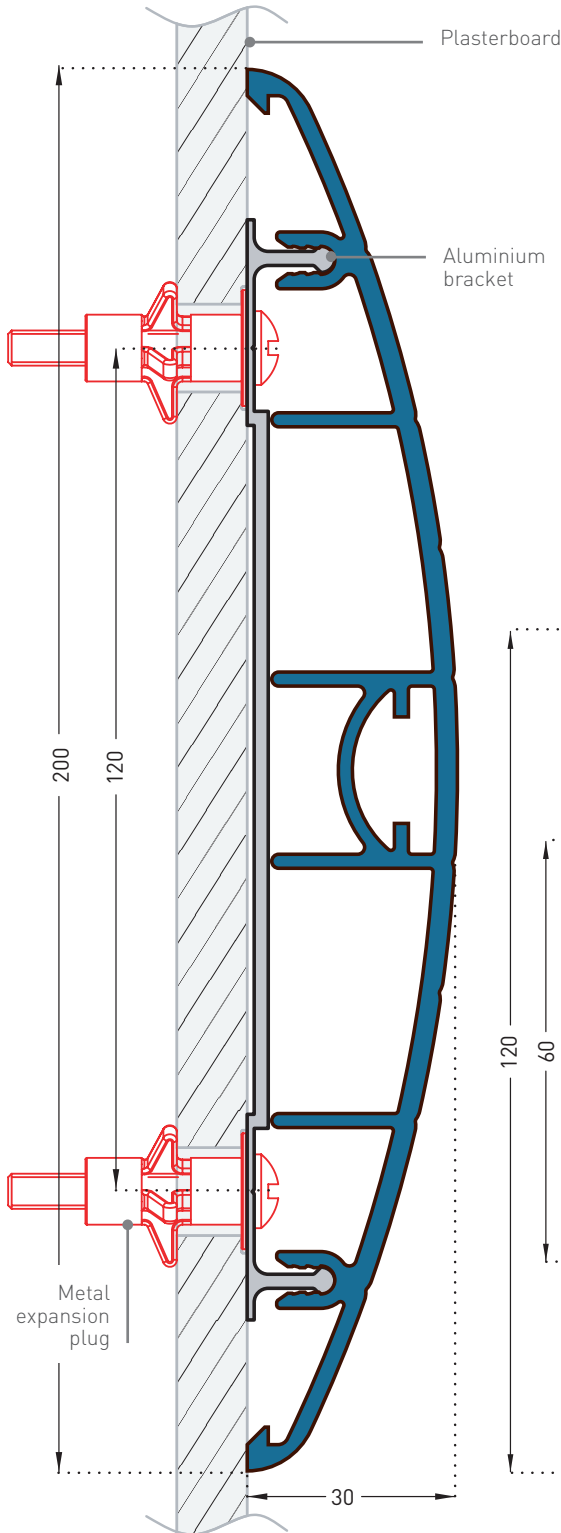
The end piece serves as the first clip.





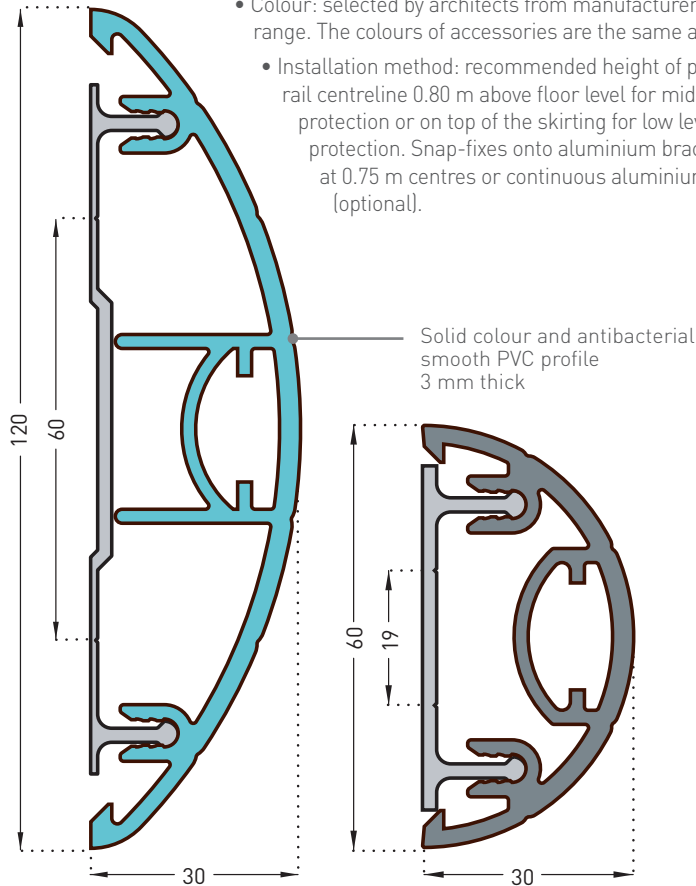
▽ ▽ Colours on order

Colours available per product: please see the colour summary hinge



### SPECIFICATION

- Description: curved wall protection rail (Impact 200/120 or 60 as manufactured by SPM) from smooth and antibacterial PVC achieving Bs2d0 reaction to fire classification with solid colour. PVC profile projects 30 mm, is 200/120 or 60 mm high and 3 mm thick. It provides a smooth surface finish with decorative grooves and snap-fixes onto aluminium brackets or continuous aluminium rail (optional). A protective film is specified to minimise cleaning before acceptance. Finish is provided by end pieces, external and internal 90° angle pieces in smooth PVC and aluminium jointing blocks.
- Environment: no heavy metals and no substance potentially subjected to any REACH restriction are used in its manufacture, nor PBT/ BPA. The calcium-zinc thermal stabilisation process is used. The emission level of volatile substance in inside air has been tested according to ISO 16000-6 and is very low (A+) according to the French regulation (23 March 2011 nr 2011-321 Decree and 19 April 2011 Order). 100% of the product are recyclable.
- Colour: selected by architects from manufacturer's standard range. The colours of accessories are the same as the profile.
- Installation method: recommended height of protection rail centreline 0.80 m above floor level for mid-level wall protection or on top of the skirting for low level wall protection. Snap-fixes onto aluminium brackets spaced at 0.75 m centres or continuous aluminium rail (optional).



Specifications and section drawings on our website [www.spm-international.com](http://www.spm-international.com)



**bimobject** BimObject in Revit and Archicad